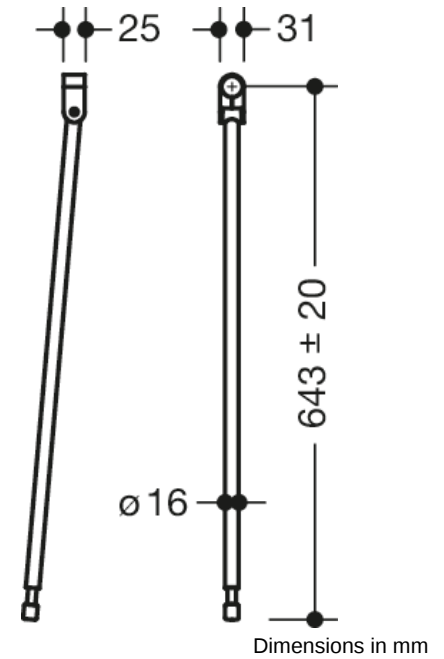




Similar picture



Properties

Floor support

- vertical floor support for retrofitting on hinged support rails and stationary support rails Duo 950.50...
- installation height 760 mm (to fulfil the DIN 18040 height requirements)
- easy installation
- connection made of high-quality polyamide in HEWI colours 90 (jet black), 92 (anthracite grey), 98 (signal white) or 99 (pure white)
- support made of high-quality stainless steel with satin
- vertical length 643 mm
- height adjustment within +/- 20 mm range possible
- produced in accordance with CE- and UKCA-Regulation (EU) 2017/745 on medical devices

Certificates

